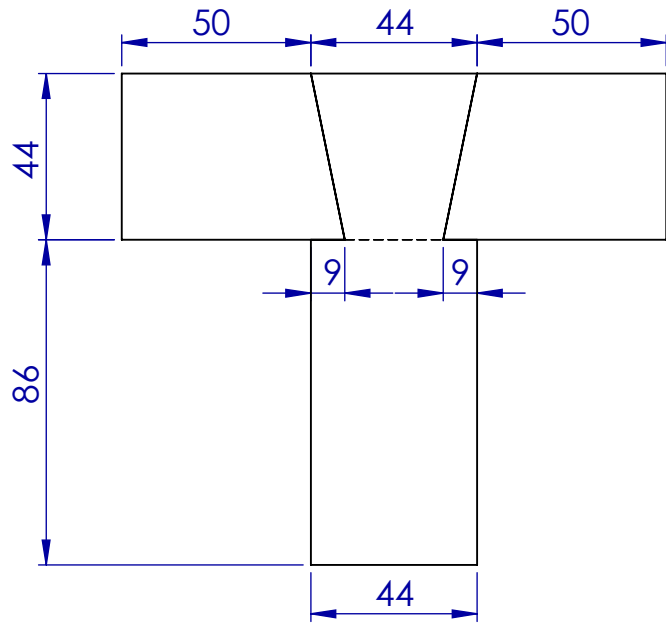
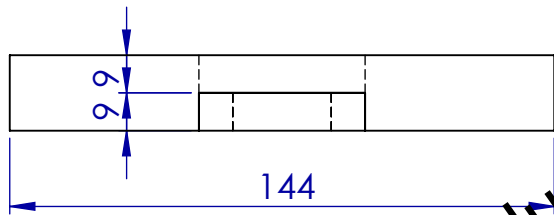


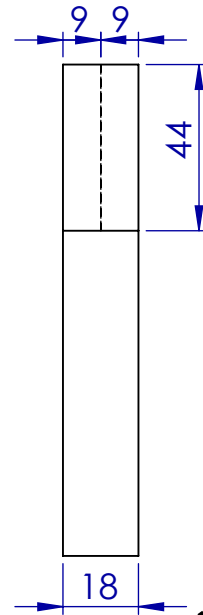
ITEM NO.	PART NUMBER	QTY.
1	DOVETAIL SOCKET	1
2	DOVETAIL PIN	1



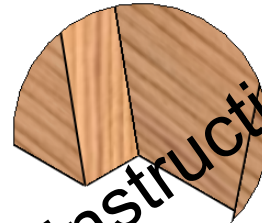
ELEVATION



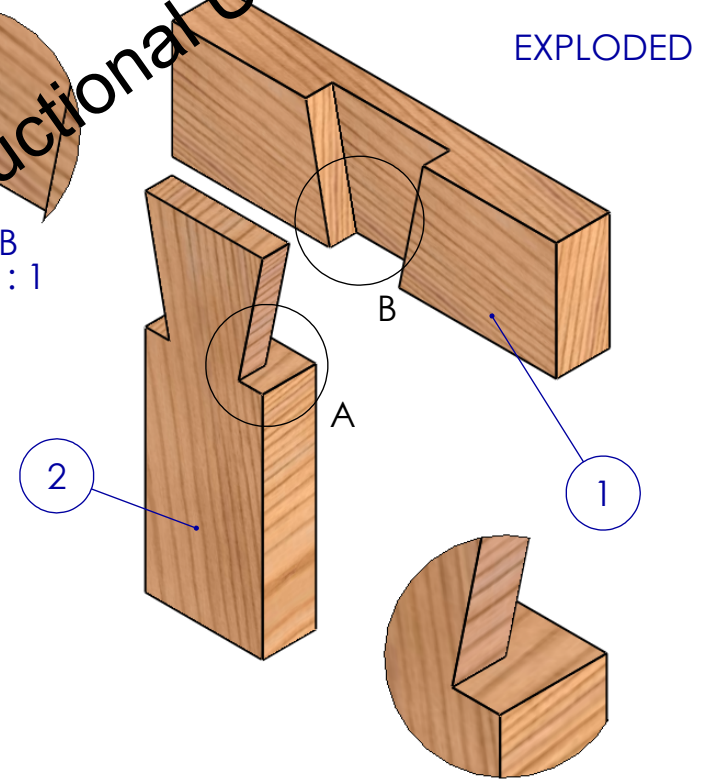
PLAN



END VIEW



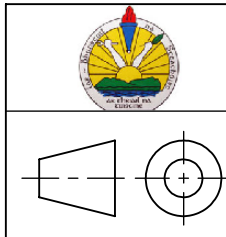
DETAIL B
SCALE 1:1



DETAIL A
SCALE 1:1

ISOMETRIC

SolidWorks Educational Edition. For Instructional Use Only.



MATERIALS TECHNOLOGY (WOOD)

TITLE:
TEE DOVETAIL JOINT

EXAM No:	SIZE A4	UNLESS OTHERWISE SPECIFIED ALL DIMENSIONS ARE IN mm
SCALE:	DATE:	SHEET No: