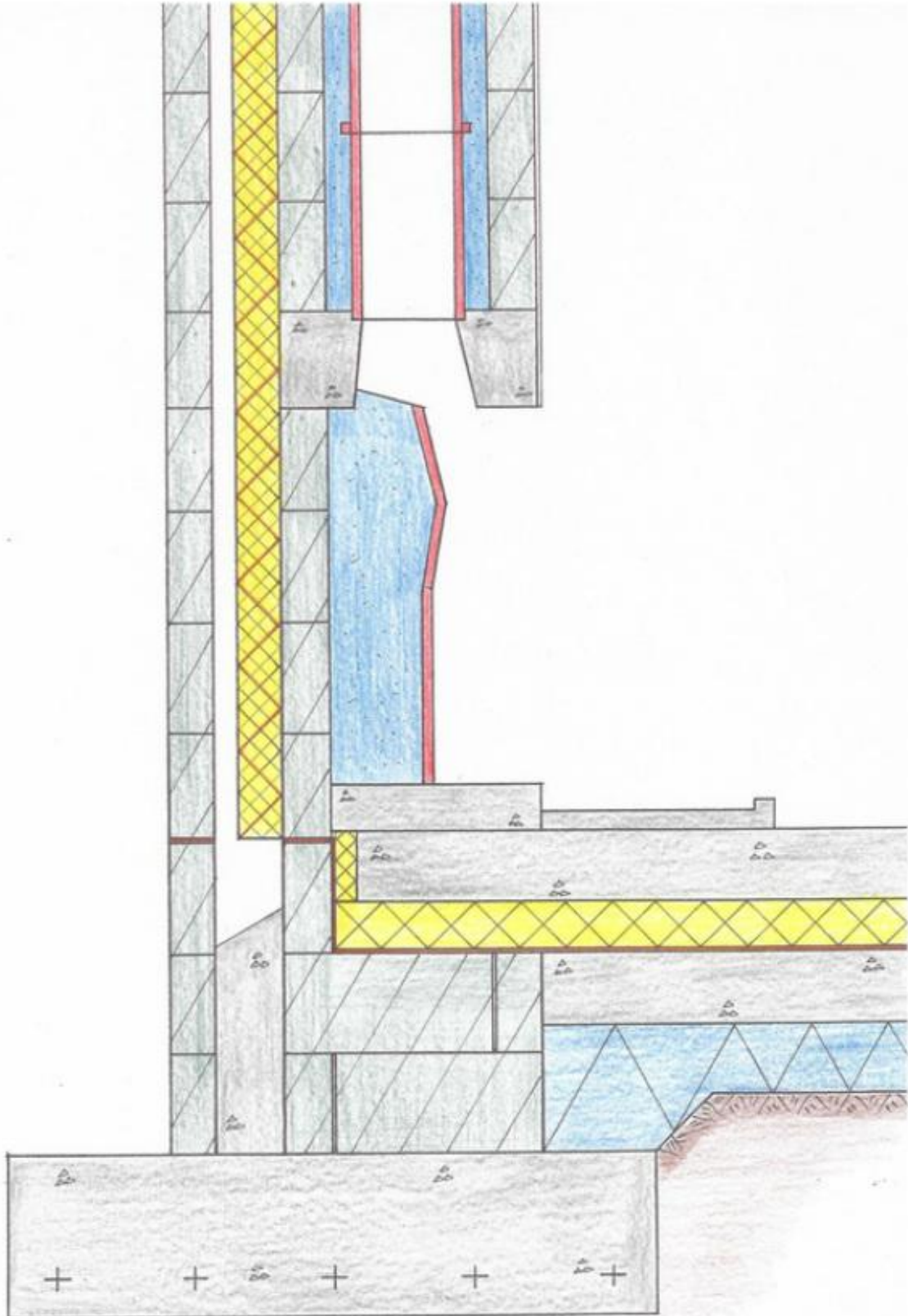
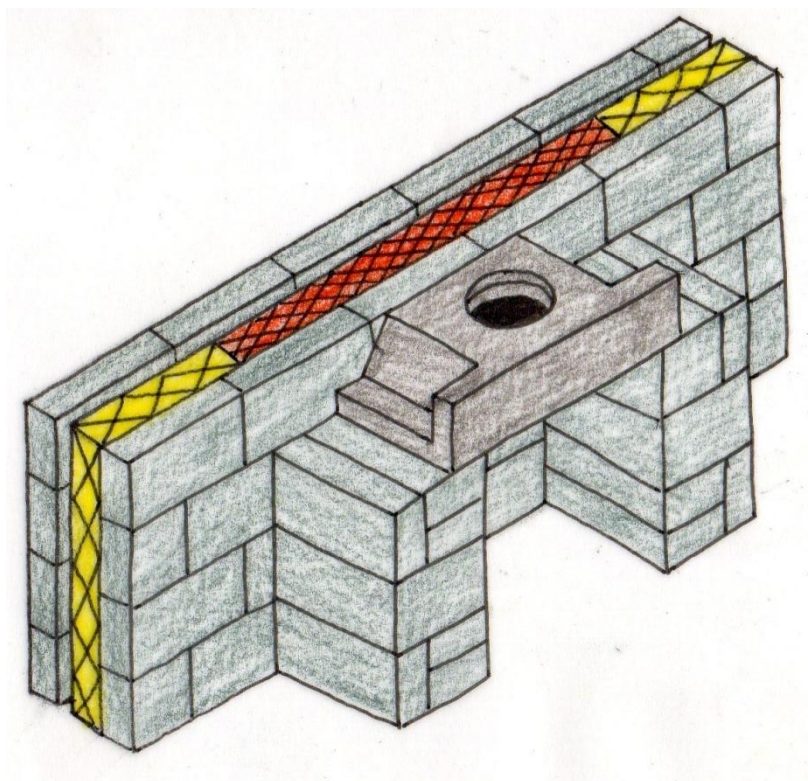


Fireplace Detail



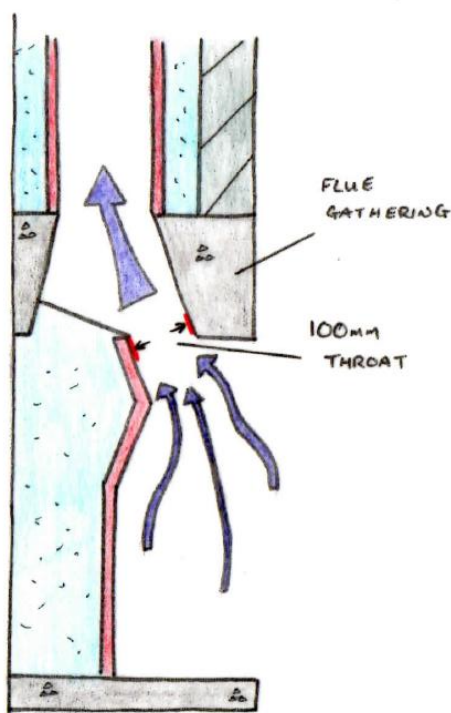
The foundation must be extended under the fireplace to ensure that the extra loads of the fireplace and chimney are catered for.

Non combustible insulation must be used behind the fireplace to prevent the risk of fire.



A 500mm minimum hearth must extend from the fireplace to ensure safety from heated elements from the fire.

The height of the fireplace should not exceed 550mm, ensuring that smoke does not trickle into the room before being drawn up the flue.



A precast concrete flue gathering is used to ensure that a 100mm throat is in place. A variation in the size of the throat will have a significant impact on the performance of the fireplace. (It creates a sufficient 'pull' for the smoke of the fire)

The flue liners are installed as the chimney stack is raised.

The cavity around the flue liners is packed with a cement, sand and lime mix in the ratio 1:1:12.

