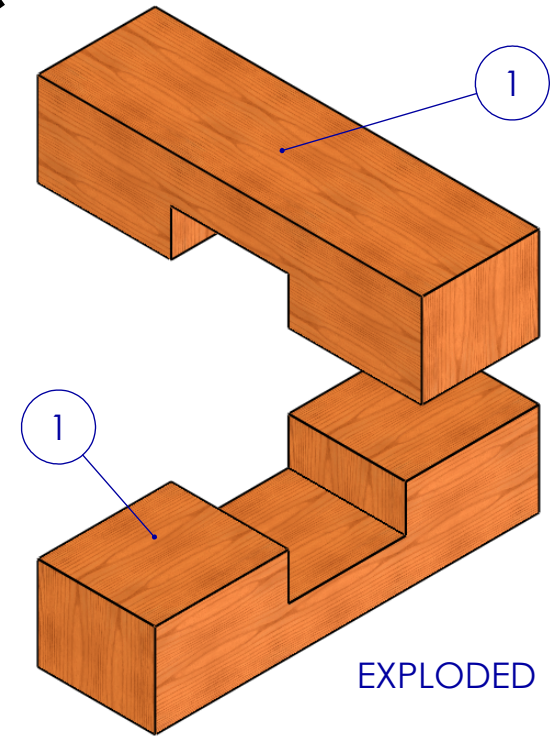
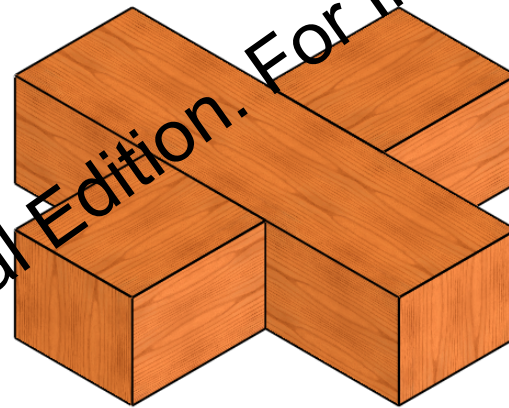
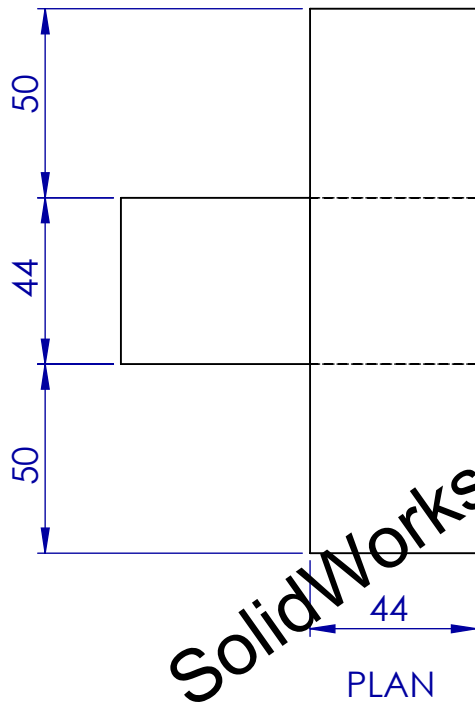
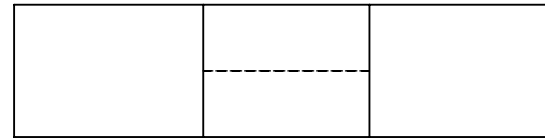
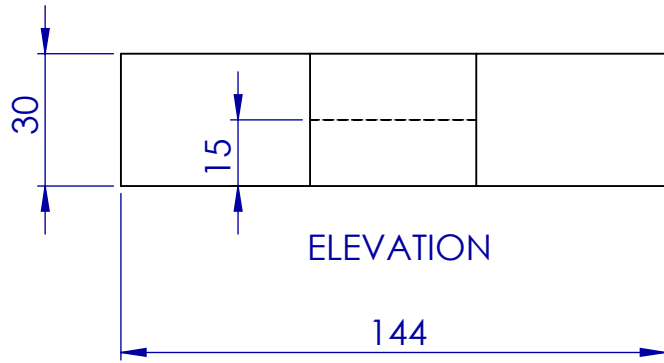
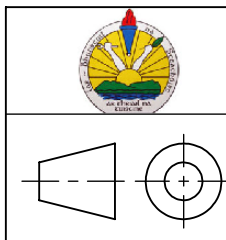


ITEM NO.	PART NUMBER	QTY.
1	CROSS HALVING	2



SolidWorks Educational Edition. For Instructional Use Only.



MATERIALS TECHNOLOGY (WOOD)		
TITLE: CROSS HALVING JOINT		
EXAM No:	SIZE A4	UNLESS OTHERWISE SPECIFIED ALL DIMENSIONS ARE IN mm
SCALE:	DATE:	SHEET No: