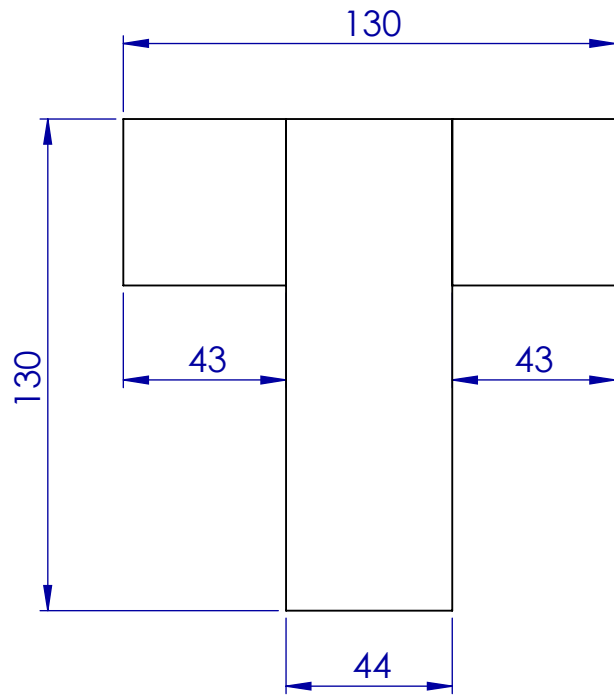
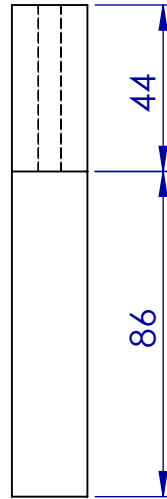


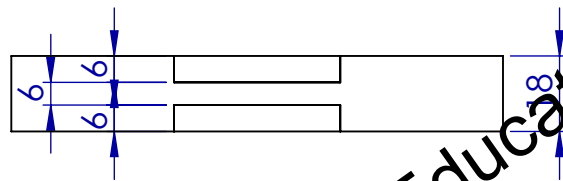
ITEM NO.	PART NUMBER	QTY.
1	PART1	1
2	PART2	1



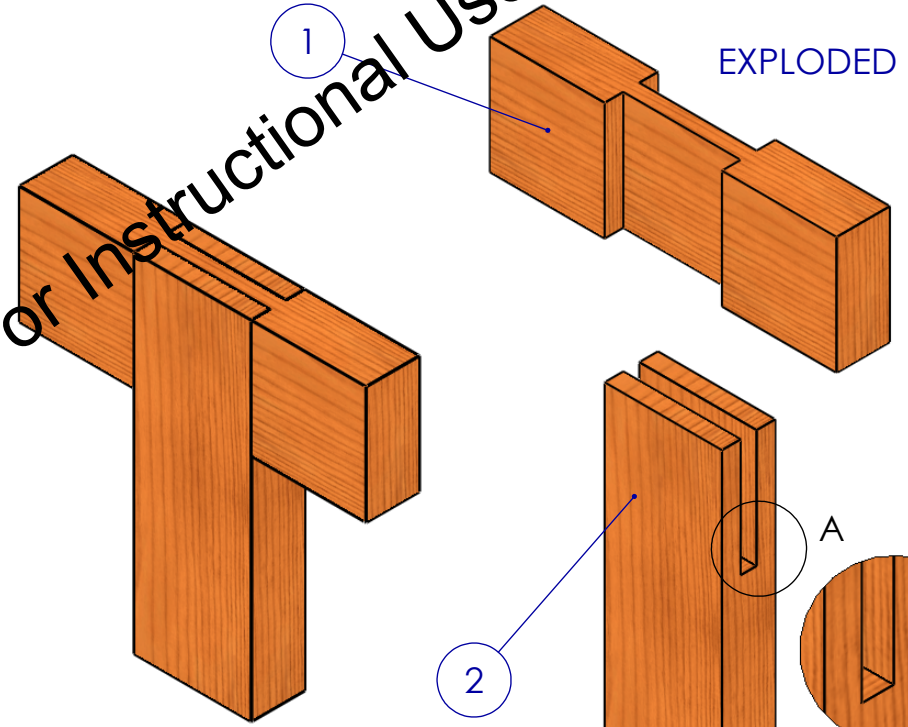
ELEVATION



END VIEW



PLAN



ISOMETRIC

DETAIL A
SCALE 1 : 1

SolidWorks Educational Edition. For Instructional Use Only.



MATERIALS TECHNOLOGY (WOOD)

TITLE:

BRIDLE JOINT

EXAM No:

SIZE
A4

UNLESS OTHERWISE SPECIFIED ALL
DIMENSIONS ARE IN mm

SCALE:

DATE:

SHEET No:

