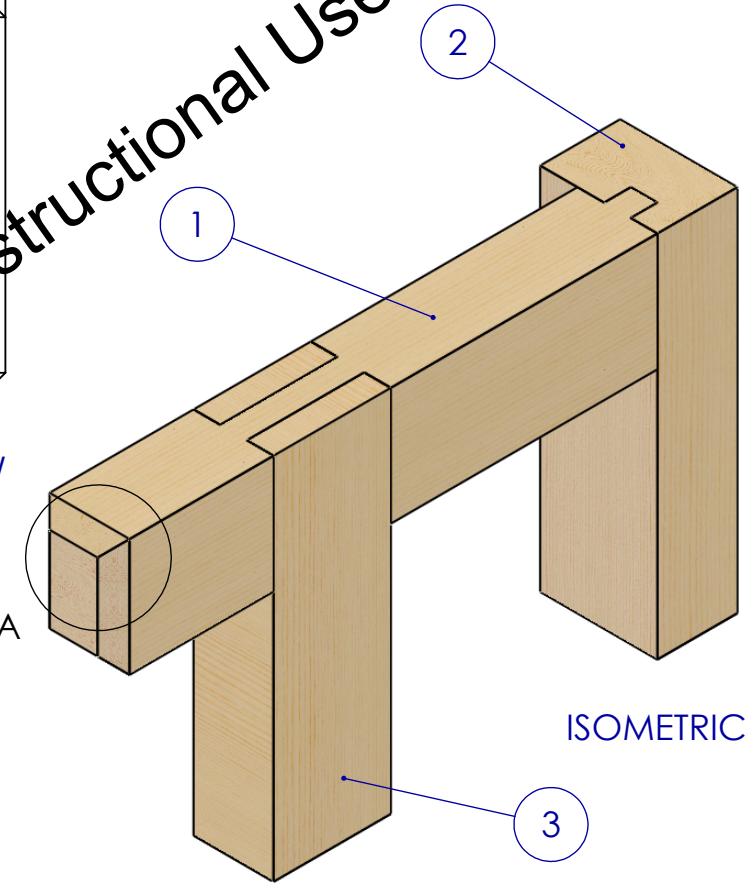
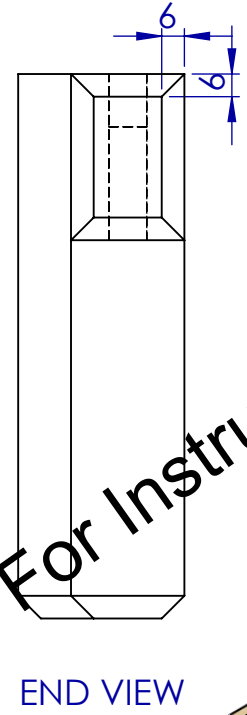
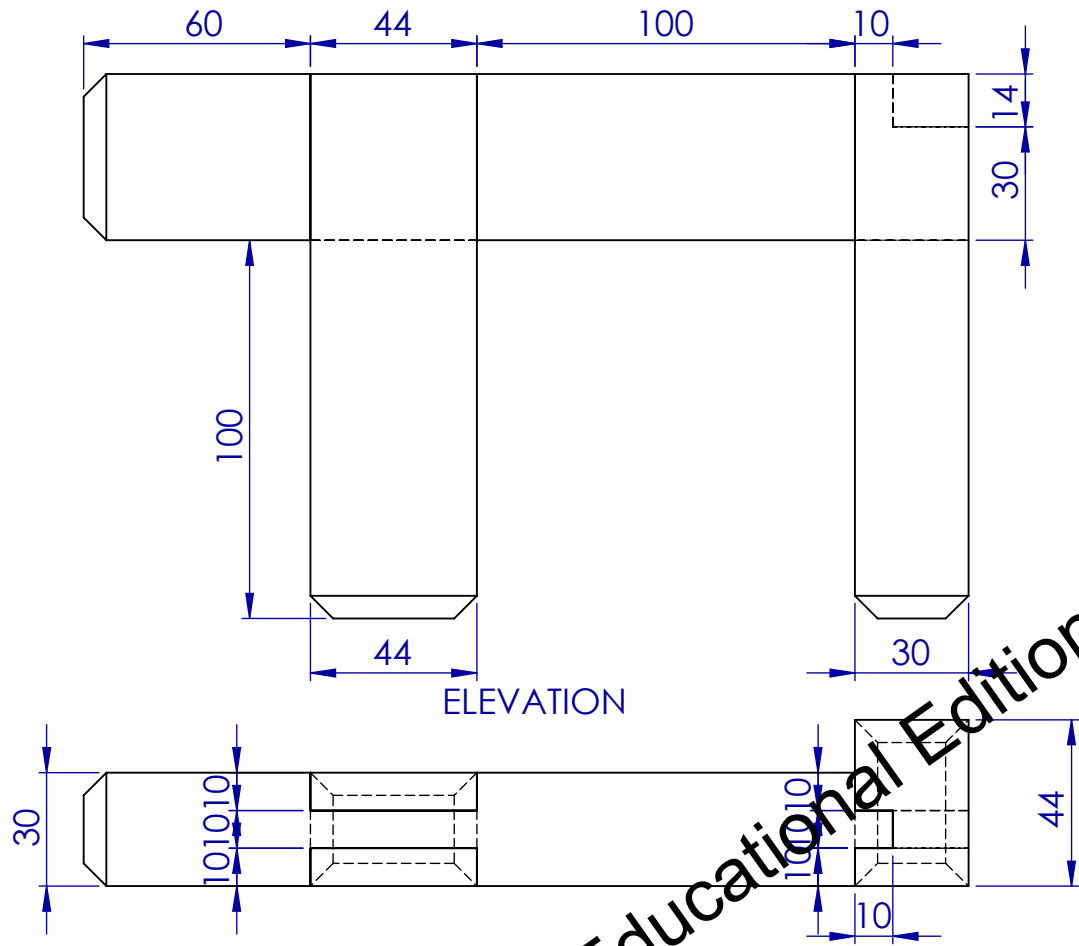
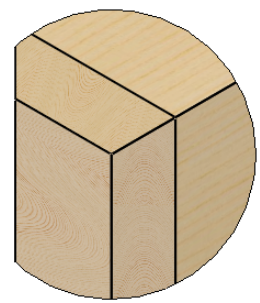


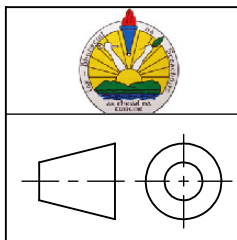
ITEM NO	PART NUMBER	QTY.
1	Long Piece	1
2	Mortice	1
3	Bridle Joint	1



SolidWorks Educational Edition. For Instructional Use Only.



DETAIL A  
SCALE 1:1



MATERIALS TECHNOLOGY (WOOD)		
TITLE: <b>ASSEMBLY EXERCISE</b>		
EXAM No:	SIZE <b>A4</b>	UNLESS OTHERWISE SPECIFIED ALL DIMENSIONS ARE IN mm
SCALE:	DATE:	SHEET No: